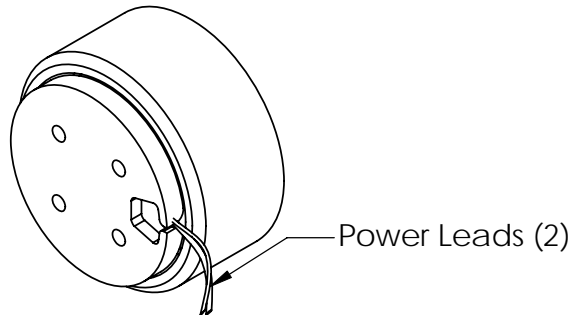
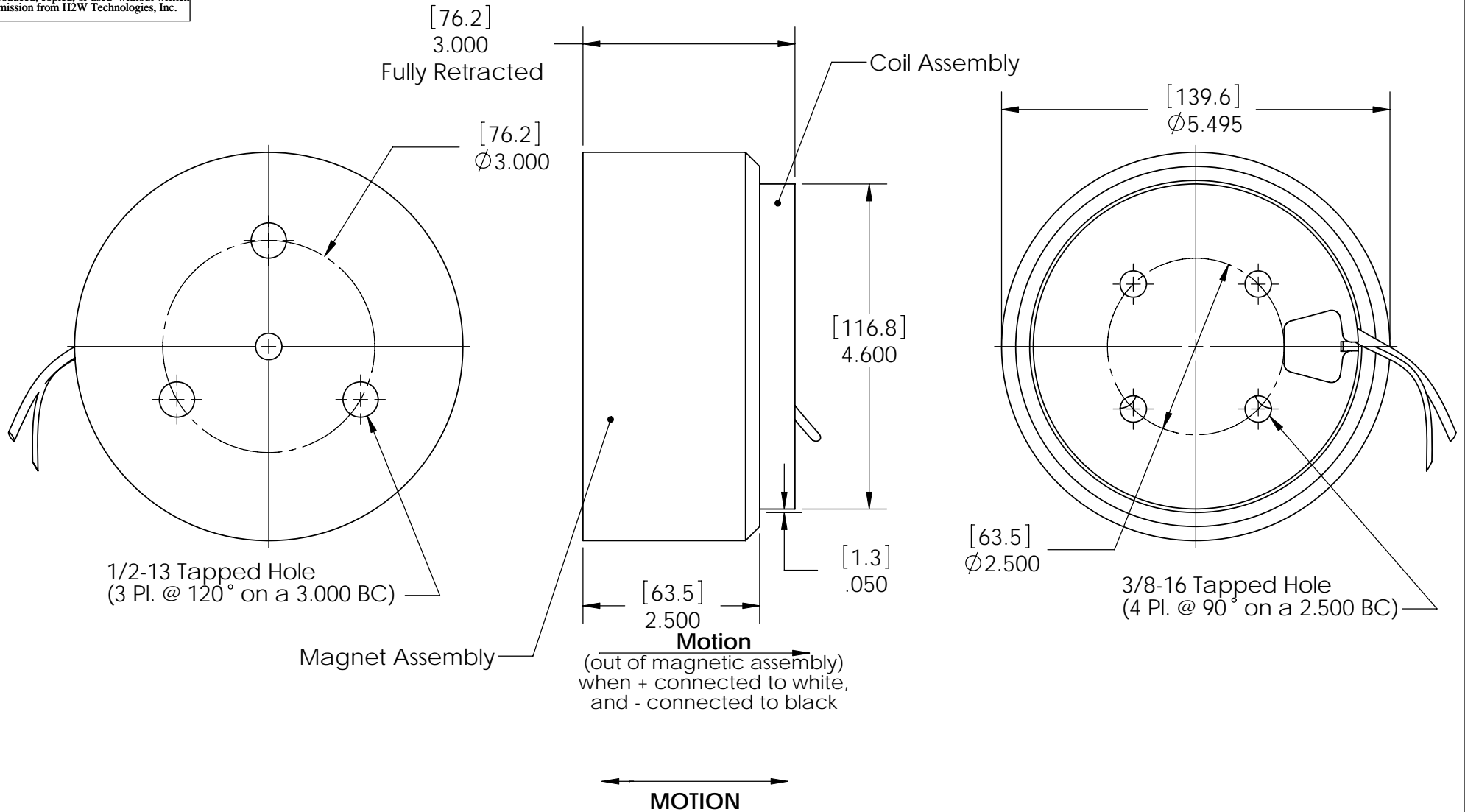


These drawings and specifications are the property of H2W Technologies, Inc. They are issued in confidence and shall not be reproduced, copied, or used without written permission from H2W Technologies, Inc.



UNLESS SPECIFIED OTHERWISE:
 All dimensions are in inches
 Standard Tolerances are as follows
 .XXX ±.005 ANGLES ±1°
 .XX ±.010 FILLETS AND
 X ±.020 CORNERS .010
 Remove All Burrs and Sharp Edges

RELEASED FOR MFG.				H2W Technologies, Inc. 28310-C Ave Crocker Valencia, CA 91355 USA Tel: (661)-702-9346 Fax: (661)-702-9348 www.h2wtech.com		
DATE						
BY				MOVING COIL NON-COMM ACTUATOR Model# NCC06-60-500-1X		
MATERIAL						
FINISH				TITLE		
DRAWN	DATE	APPROVED	DATE	DWG #	REV	ECN
JRM	4-12-05	MPW	4-12-05	30-0413	B	

MOVING COIL NON-COMM ACTUATOR SPECIFICATIONS		
Motor P/N	NCC06-60-500-1X	
Stroke	0.64"	16.3 mm
Radial Clearance	0.050" per side	1.3 mm per side
Bearing Type	None Provided	
Moving Mass	1.7 lbs	760 grams
Total Mass	16.2 lbs	7360 grams
Resistance @ 20C	6.5 ohms	
Inductance @ 20C	4.6 mH	
Electrical Time Constant	0.71 msec	
Motor Constant	5.50 LBS/SQRT(Watt)	24.5 N/SQRT(Watt)
Force Constant	14.0 LBS/Amp	62.3 N/Amp
Back EMF	1.6 V/ips	62.3 V/m/sec
Continuous Force	50 LBS	227 N
Max Power @ 100% Duty	83 Watts	
Peak Force	150 LBS	681 N
Max Power @ 10% Duty	744 Watts	

TITLE	Moving Coil Non-Comm Actuator Model# NCC06-60-500-1X		
DWG #	30-0413	REV	B
		SHEET	2 of 2